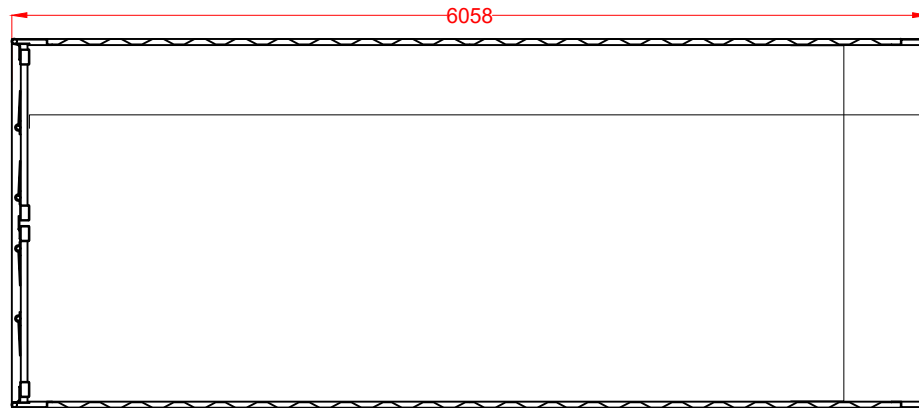
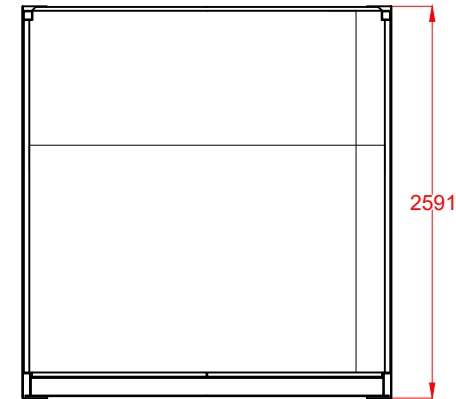


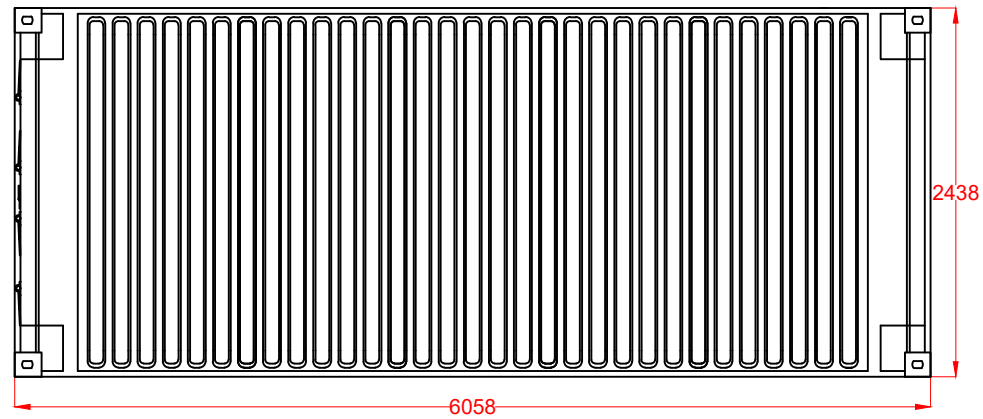
20ft Shipping Container - Plan



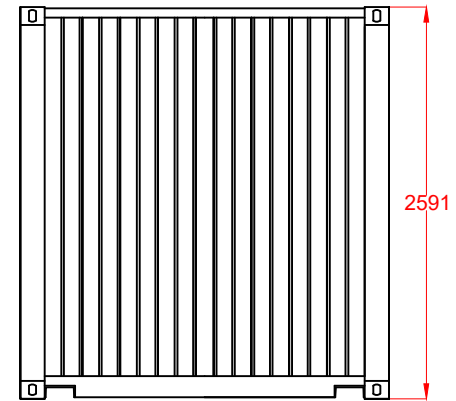
20ft Shipping Container - Section



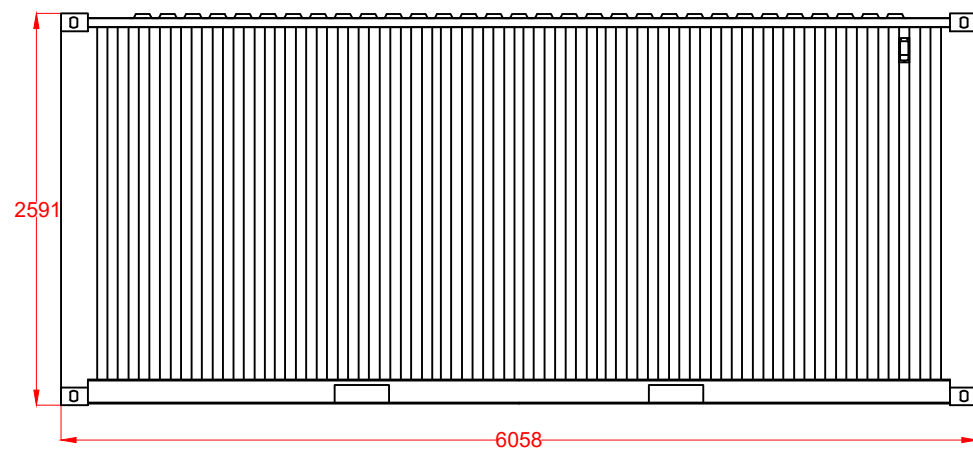
20ft Shipping Container - Roof Plan



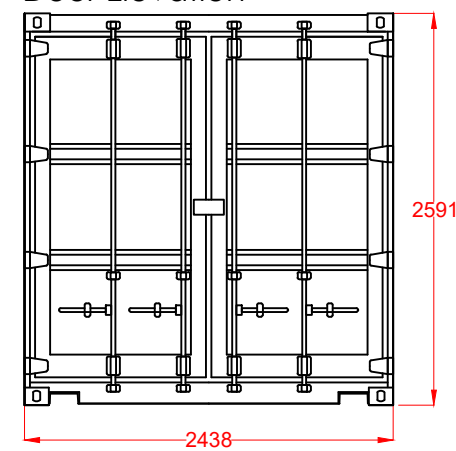
20ft Shipping Container - Front Elevation



20ft Shipping Container - Side Elevation



20ft Shipping Container - Door Elevation



No	INFORMATION	By	Date	Chkd
A	FIRST ISSUE	MM	08.01.24	GJ
REVISIONS				
PROJECT NUMBER: COCKENZIE				
CLIENT: COCKENZIE STORAGE LTD				
LOCATION: COCKENZIE EH32 9SF				
DRAWING TITLE: PUMP ROOM				
CAD REFERENCE: 00-COCKENZIE -311				
SCALE:	1:50 @ A3	SHEET:	1 OF 1	
DRAWN BY:	MM	DATE:	08.01.24	
CHECKED BY:	GJ	DATE:	08.01.24	
AVON UTILITIES & GENERATION Ltd UNIT 1, MOULDINGS GREEN, KENILWORTH ROAD, MERIDEN, CV7 7LJ				