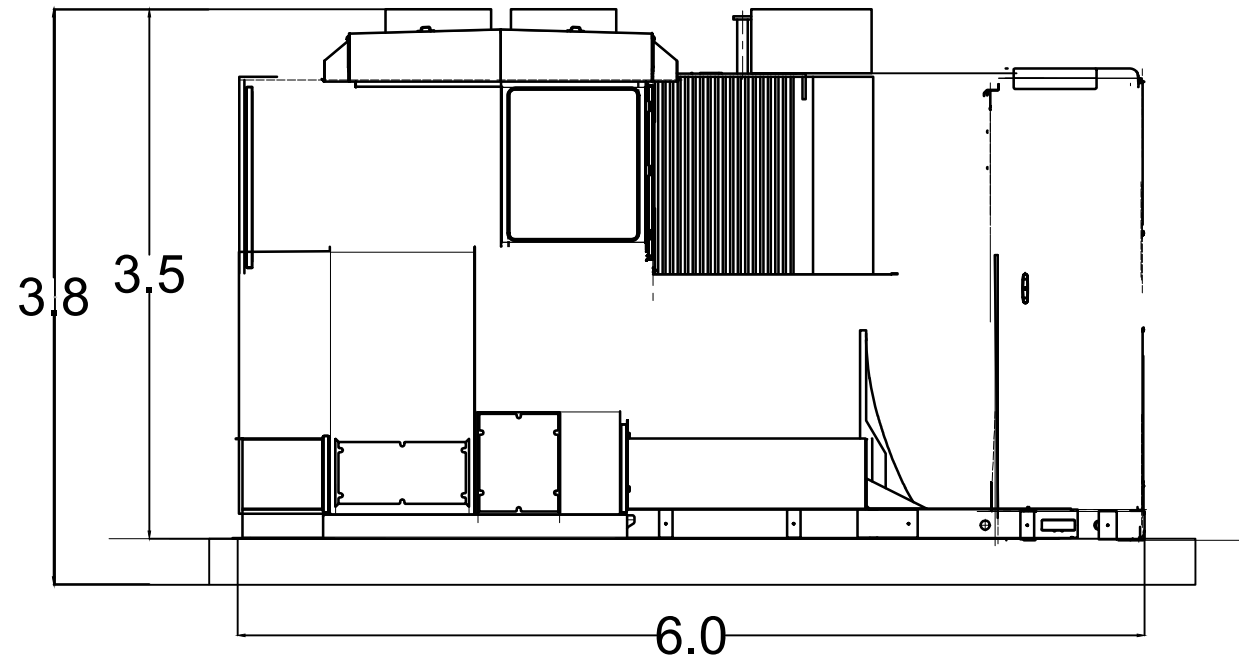
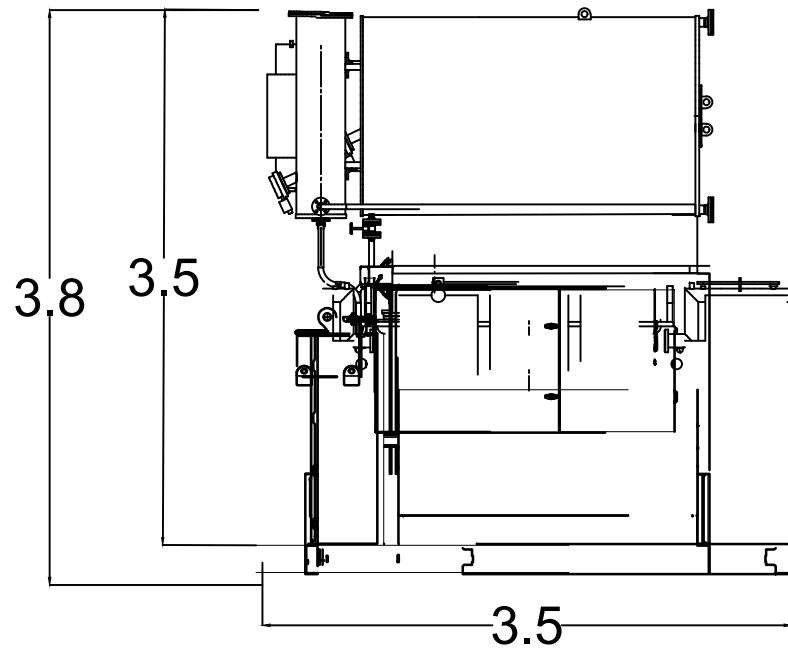


BOTTOM VIEW



LEFT VIEW



FRONT VIEW

No	INFORMATION	By	Date	Chkd
B	INTENUATION ALLOWANCE ADDED	MM	26/06/23	GJ
REVISIONS				
PROJECT NUMBER		COCKENZIE		
CLIENT:		GRESHAM		
LOCATION:		COCKENZIE EH32 9SF		
DRAWING TITLE:		TX ARRANGMENT		
CAD REFERENCE:		00-COCKENZIE -302		
SCALE:	1:50 @ A3	SHEET:	2 OF 2	
DRAWN BY:	MM	DATE:	07.12.22	
CHECKED BY:	GJ	DATE:	07.12.22	
AVON UTILITIES & GENERATION Ltd UNIT 1, MOULDINGS GREEN, KENILWORTH ROAD, MERIDEN, CV7 7LJ				