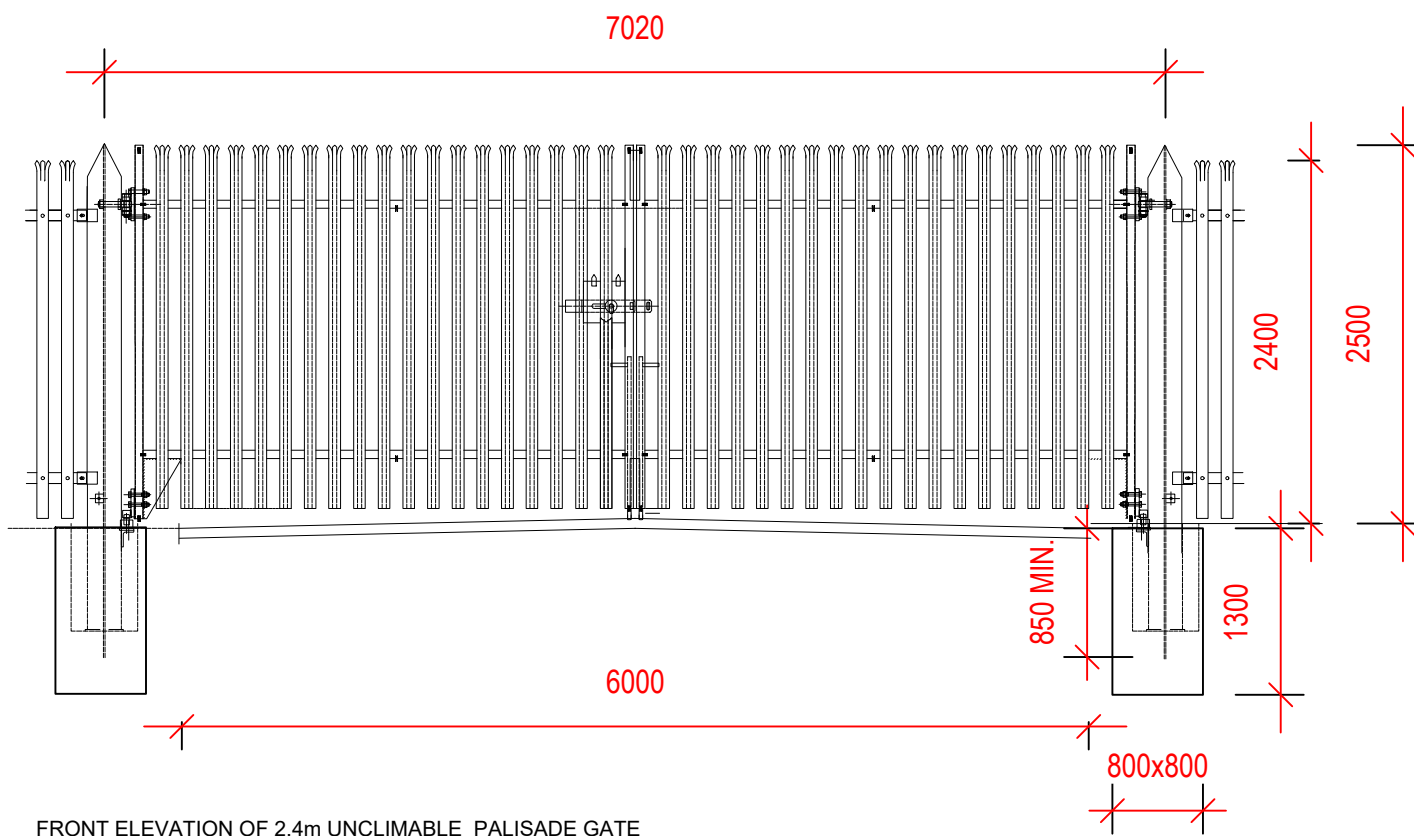
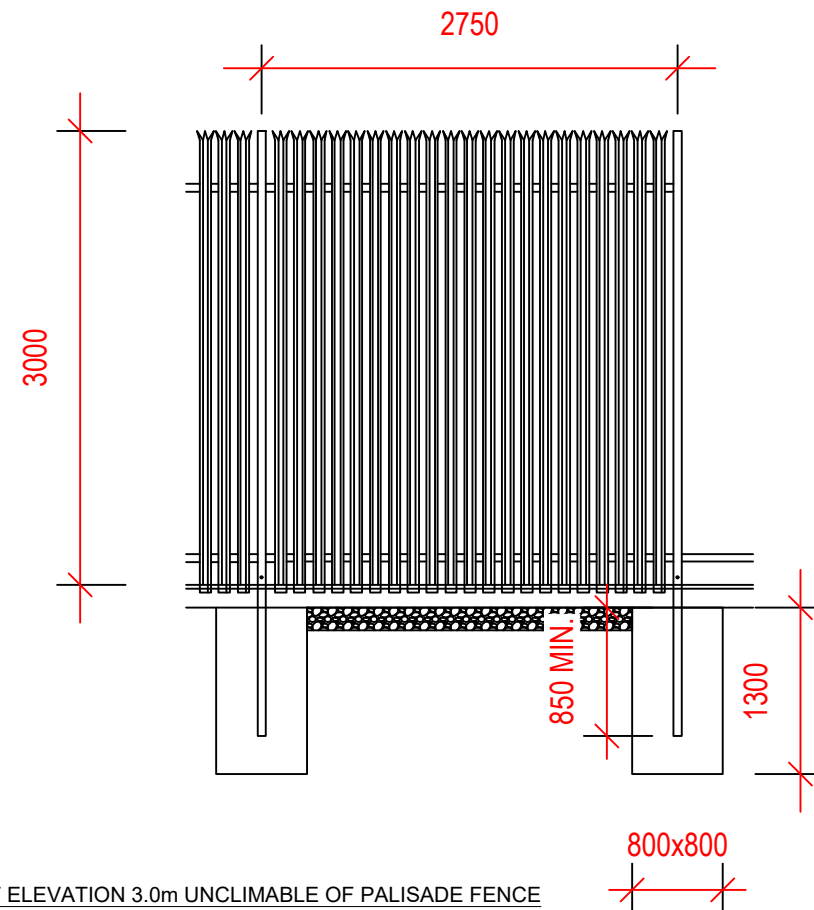


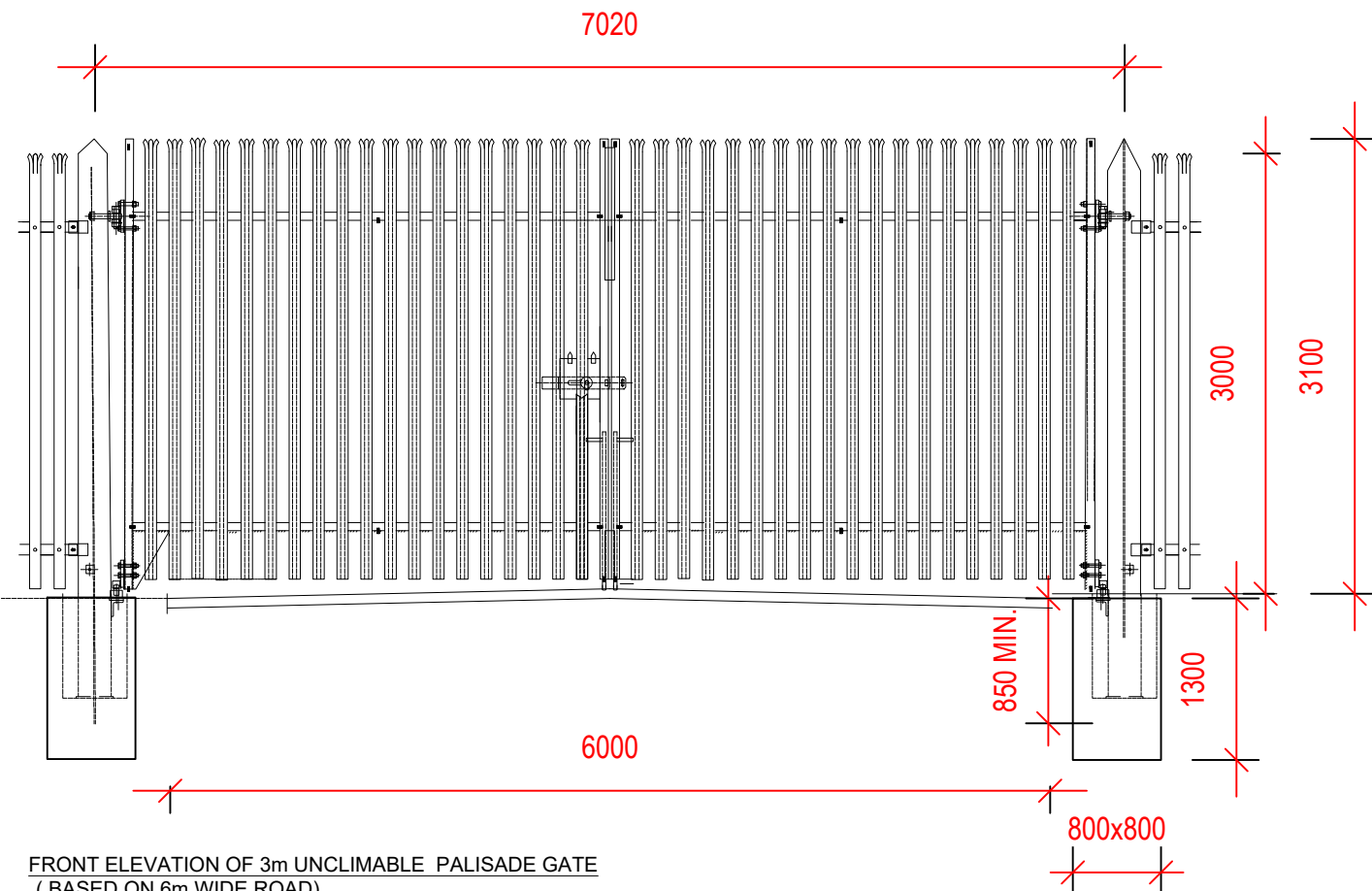
FRONT ELEVATION OF 2.4 UNCLIMABLE PALISADE FENCE



FRONT ELEVATION OF 2.4m UNCLIMABLE PALISADE GATE  
(BASED ON 6m WIDE ROAD)



FRONT ELEVATION 3.0m UNCLIMABLE OF PALISADE FENCE



FRONT ELEVATION OF 3m UNCLIMABLE PALISADE GATE  
(BASED ON 6m WIDE ROAD)

REVISIONS			
No	INFORMATION	By	Date
B	2.4m AND 3m HEIGHTS SHOWN	MM	12.01.24
A	FIRST ISSUE	MM	13.02.23

PROJECT NUMBER	COCKENZIE
CLIENT	COCKENZIE STORAGE LTD
LOCATION	COCKENZIE EH32 9SF
DRAWING TITLE	UNCLIMABLE FENCE & GATE
CAD REFERENCE	00-COCKENZIE -308
SCALE	1:50 @ A3
SHEET	1 OF 1
DRAWN BY	MM
DATE	13.12.23
CHECKED BY	GJ
DATE	13.12.23

AVON UTILITIES & GENERATION Ltd UNIT 1, MOULDINGS GREEN, KENILWORTH ROAD, MERIDEN, CV7 7LJ	
--	--